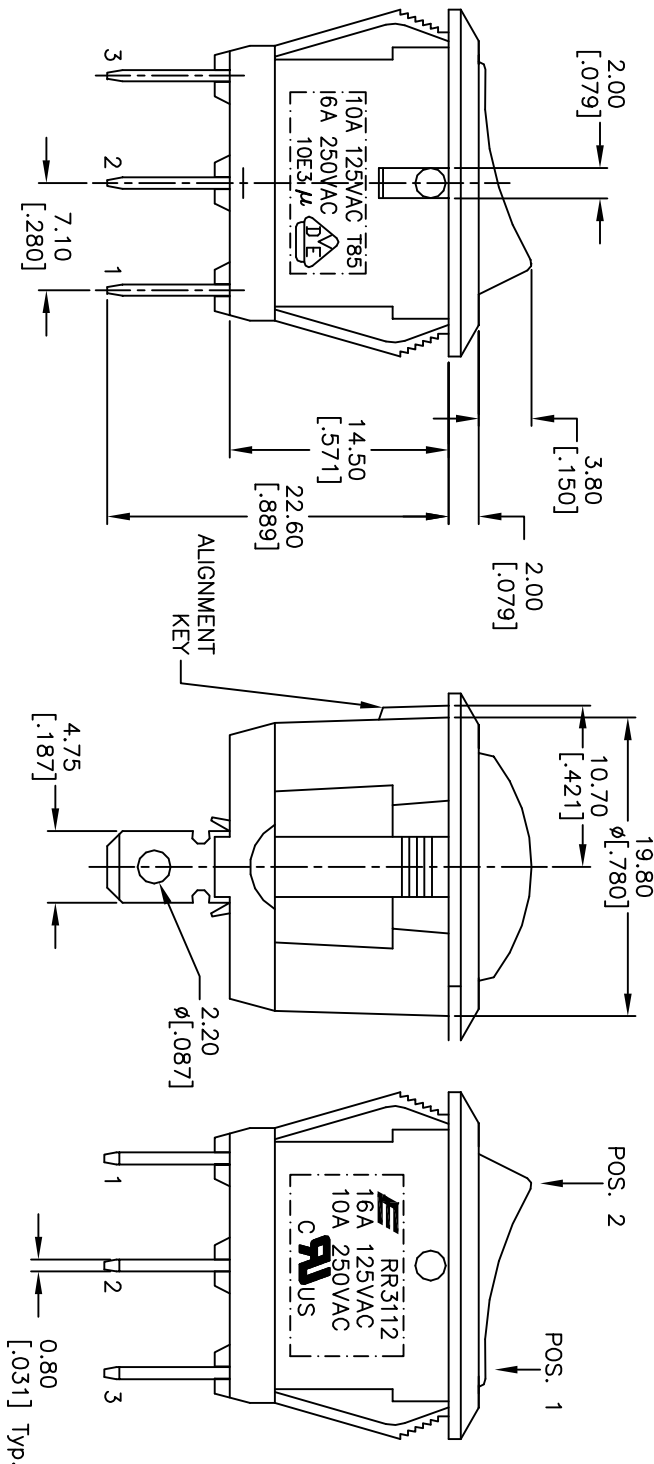
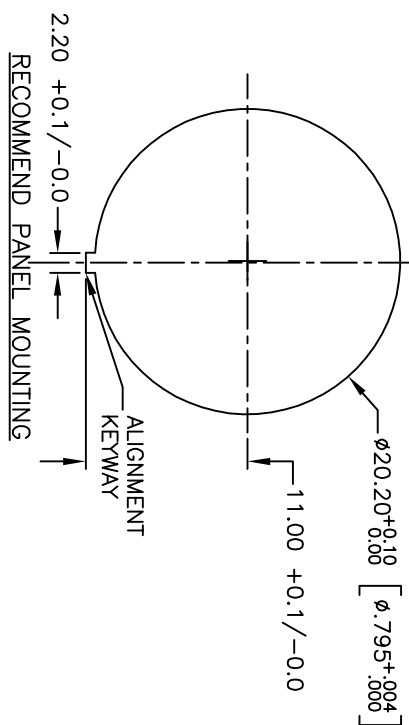


CIRCUIT: 2P: SPST
CONTACT CONFIGURATION
ON-OFF (ILLUMINATED)



SWITCH FUNCTION	
POS. 1	POS. 2
ON	OFF
2-1	OPEN

- NOTES:
1. ALL DIMENSIONS IN MM [INCH]
 2. GENERAL TOLERANCE: 0.0=±0.4
0.00=±0.25
 3. TERM. NOS. FOR REF. ONLY
 4. RATING: 16A, 125VAC, 10A, 250VAC UL&CUL APPROVED
10A 125VAC, 6A 250V AC VDE APPROVED
 5. CONTACT RESISTANCE: 50m ohm max.
 6. INSULATION RESISTANCE: DC 500V 100M ohm min.
 7. DIELECTRIC STRENGTHS: AC 1500V 1 minute
 8. OPERATING TEMP.: 0°C to 85°C
 9. LAMP: 110V NEON
 10. ▲ DENOTES CRITICAL PARAMETER.

REV.	ECN No.	DESCRIPTION	DATE	CHKD
B	18297	TITLE OF DRAWING CHANGED	11/5/08	BLR
A	14116	RELEASED FOR PRODUCTION	6/28/03	AR

TITLE		DATE		DR		DWG		REV	
RR3112BBLKREDAF1		11/5/08		AR		F130455		B	
SCALE		DATE		DR		DWG		REV	
2:1		11/5/08		AR		F130455		B	



THE INFORMATION CONTAINED IN THIS DOCUMENT IS PROPRIETARY TO E-SWITCH AND IS NOT TO BE COPIED OR TRANSMITTED